

Document ID# 1738673

2004 Cadillac CTS

---

# Reduced Engine Power, Service Engine Soon (SES) Light with One or More DTCs - P0121, P0221, P2119, P2122, P2138, P2176 (Replace Throttle Body Assembly and Harness Connector to Throttle Body) #05-06-04-032B - (Dec 5, 2005)

**Table 1:** [Replacement Throttle Body Assembly Harness Connector](#)

Reduced Engine Power, Service Engine Soon (SES) Light with One or More of the Following DTCs: P0121, P0221, P2119, P2122, P2138, P2176 (Replace Throttle Body Assembly and Harness Connector To Throttle Body)

2004-2005 Buick Rendezvous

2004 Cadillac CTS, SRX

with 3.6L V6 Engine (VIN 7 - RPO LY7)

**The information in this bulletin DOES NOT apply for the 2005 Cadillac CTS or SRX. DO NOT replace the throttle body or connector on the 2005 Cadillac CTS or SRX because both vehicles have been built with the updated parts. If the customer concern matches the above described conditions on the 2005 Cadillac CTS or SRX, then follow Service Information (SI) diagnostics.**

This bulletin is being revised to include additional information on model year usage. Please discard Corporate Bulletin Number 05-06-04-032B (Section 06 - Engine/Propulsion System).

## Condition

Some customers may comment on reduced engine power or the Service Engine Soon (SES) light illuminated, with one or more of the following DTCs present: P0121, P0221, P2119, P2122, P2138, P2176. The condition may also be intermittent.

## Cause

The condition may be caused by a poor connection at the throttle body electrical connector.

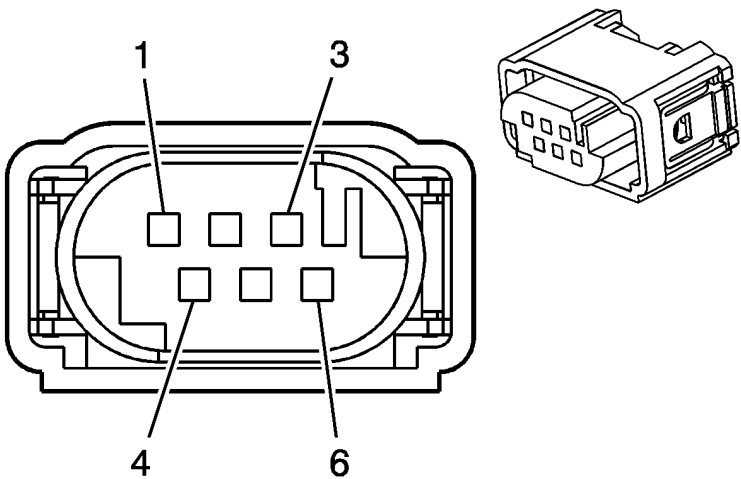
## Correction

Technicians are to replace the following parts.

- Throttle Body Assembly, P/  
N 12589056
- Throttle Body Seal, P/  
N 12581398
- Throttle Body Harness Connector, P/  
N 88988585

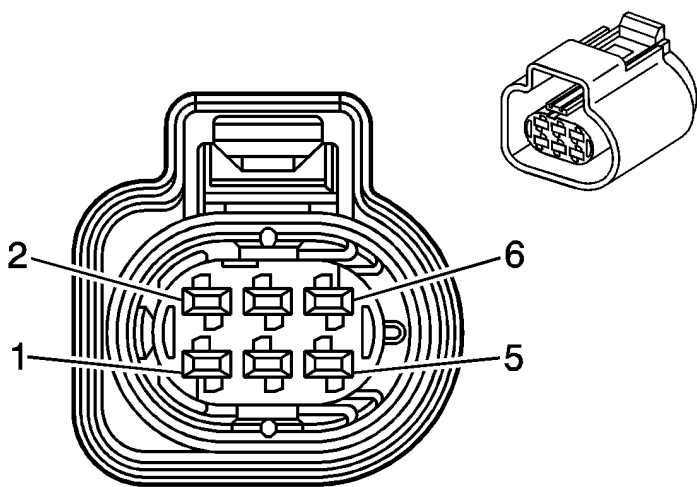
Refer to Replacement Throttle Body Assembly Harness Connector and wiring schematic for the installation of the Replacement Throttle Body Harness Connector, P/N 88988585.

## FIGURE Original Throttle Body Assembly Harness Connector(c)



**Important ::** This bulletin may not apply to all of the models listed above. Some of these vehicles may have been already built with the Replacement Throttle Body Assembly Harness Connector shown in the below graphic illustration. If the vehicle you are working on has the replacement style Throttle Body Harness Connector shown in the below graphic illustration; **DO NOT** replace it regardless of the year or model because the vehicle has the updated parts. If the customer concern matches the above described conditions then follow service information (SI) diagnostics or refer to SI Document ID 303631 for testing for intermittent and poor connections at the ECM, APP Sensor, and Throttle Body.

**FIGURE Replacement Throttle Body Assembly Harness Connector(c)**



<b>Connector Part Information</b>		<b>1928404900</b>	
		<b>6-Way F BOSCH® (Black)</b>	
<i>Pin</i>	<i>Wire Color</i>	<i>Circuit Number</i>	<i>Function</i>

1	Dark Green	485	TP Sensor Signal 1
2	Gray	2701	5 Volt Reference C
3	Brown	582	TAC Motor Control 2
4	Purple	486	TP Sensor Signal 2
5	Yellow	581	TAC Motor Control 1
6	Tan	2752	Low Reference

**Important:** *Use splice seal connectors when replacing the throttle body harness connector.*

Refer to and copy out all of the appropriate repair procedures from SI (Service Information) before attempting this repair.

Refer to SI Document ID #1307701 to perform the Idle Learn Procedure.

If the condition is still present after the throttle body connector and the throttle body have been updated, refer to SI Document ID 303631 for testing for intermittent and poor connections at the ECM, APP Sensor, and Throttle Body.

### Parts Information

Part Number	Description
12589056	Body Assembly-Throttle
12581398	Seal-Throttle Body
88988585	Connector, Sensor-Throttle Position

### Warranty Information

For vehicles repaired under warranty, use:

Labor Operation	Description	Labor Time
J7803	Throttle Body Assembly and Harness Connector - Replace	0.6 hr*
Add:	For Electrical Diagnosis Only	0.0-0.3 hr

\*This labor time is for bulletin use only.