

Document ID# 1664357

2004 Cadillac CTS

Reduced Engine Power, Service Engine Soon (SES) Light with One or More DTCs P0121, P0221, P2119, P2122, P2138, P2176 (Replace Throttle Body Assembly and Harness Connector to Throttle Body) #05-06-04-032A - (May 25, 2005)

Table 1: [Replacement Throttle Body Assembly Harness Connector](#)

Reduced Engine Power, Service Engine Soon (SES) Light with One or More of the Following DTCs P0121, P0221, P2119, P2122, P2138, P2176 (Replace the Throttle Body Assembly and Harness Connector To Throttle Body)

2004-2005 Buick Rendezvous

2004 Cadillac CTS, SRX

with 3.6L V6 Engine (VIN 7 - RPO LY7)

This bulletin is being revised to include additional diagnostic information on throttle body assembly harness connectors. Please discard Corporate Bulletin Number 05-06-04-032 (Section 06 - Engine).

Condition

Some customers may comment on a reduced engine power or the Service Engine Soon (SES) light illuminated, with one or more of the following DTCs present: P0121, P0221, P2119, P2122, P2138, P2176. The condition may also be intermittent.

Cause

The condition may be caused by a poor connection at the throttle body electrical connector.

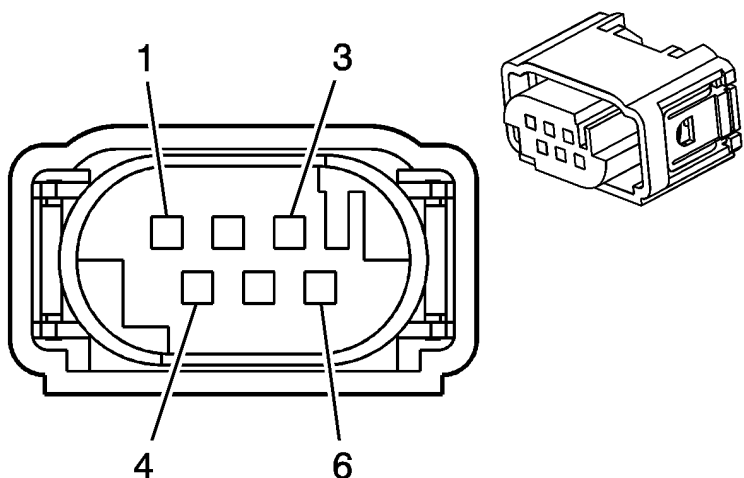
Correction

Technicians are to replace the following parts.

- Throttle Body Assembly, P/
N 12589056
- Throttle Body Seal, P/
N 12581398
- Throttle Body Harness Connector, P/
N 88988585

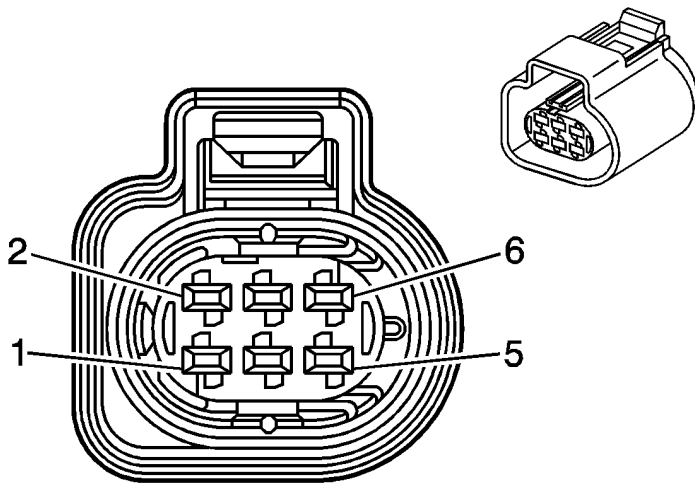
Refer to Replacement Throttle Body Assembly Harness Connector and wiring schematic for the installation of the Replacement Throttle Body Harness Connector, P/N 88988585.

FIGURE Original Throttle Body Assembly Harness Connector(c)



Important: This bulletin may not apply to all of the models listed above. Some of these vehicles may have been already built with the Replacement Throttle Body Assembly Harness Connector below.

FIGURE Replacement Throttle Body Assembly Harness Connector(c)



Connector Part Information		1928404900 6-Way F BOSCH® (Black)	
Pin	Wire Color	Circuit Number	Function
1	Dark Green	485	TP Sensor Signal 1
2	Gray	2701	5 Volt Reference C
3	Brown	582	TAC Motor Control 2
4	Purple	486	TP Sensor Signal 2
5	Yellow	581	TAC Motor Control 1
6	Tan	2752	Low Reference

Important: Use splice seal connectors when replacing the throttle body harness connector.

Refer to and copy out all of the appropriate repair procedures from SI (Service Information) before attempting this repair.

Refer to SI Document ID #1307701 to perform the Idle Learn Procedure.

If the condition is still present after the throttle body connector and the throttle body have been updated, refer to SI Document ID 303631 for testing for intermittent and poor connections at the ECM, APP Sensor, and Throttle Body.

Parts Information

Part Number	Description
12589056	Body Assembly-Throttle
12581398	Seal-Throttle Body
88988585	Connector, Sensor-Throttle Position

Parts are currently available from GMSPO.

Warranty Information

For vehicles repaired under warranty, use:

Labor Operation	Description	Labor Time
J7803	Throttle Body Assembly and Harness Connector - Replace	0.6 hr
Add:	Diagnosis Time	0.0-0.3 hr

GM bulletins are intended for use by professional technicians, NOT a "do-it-yourselfer". They are written to inform these technicians of conditions that may occur on some vehicles, or to provide information that could assist in the proper service of a vehicle. Properly trained technicians have the equipment, tools, safety instructions, and know-how to do a job properly and safely. If a condition is described, DO NOT assume that the bulletin applies to your vehicle, or that your vehicle will have that condition. See your GM dealer for information on whether your vehicle may benefit from the information.



**WE SUPPORT
VOLUNTARY
TECHNICIAN
CERTIFICATION**

© Copyright General Motors Corporation. All Rights Reserved.

Document ID# 1664357
2004 Cadillac CTS