

Document ID# 1844716
2004 Cadillac CTS



Subject: **ASI Resolution - Intermittent Dead Battery or Battery Goes Dead Overnight (Replace Overhead Console Assembly) #04-06-03-003A - (06/28/2006)**

Models: **2003-2005 Cadillac CTS**
 2004-2005 Cadillac CTS-V, SRX

This bulletin is being revised to provide the parts and correction information for Advanced Service Information Bulletin Number 04-06-03-003. Please discard Corporate Bulletin Number 04-06-03-003 (Section 06 -- Engine).

Model	Date
CTS, CTS-V	9/2/04
SRX	10/22/04

Condition

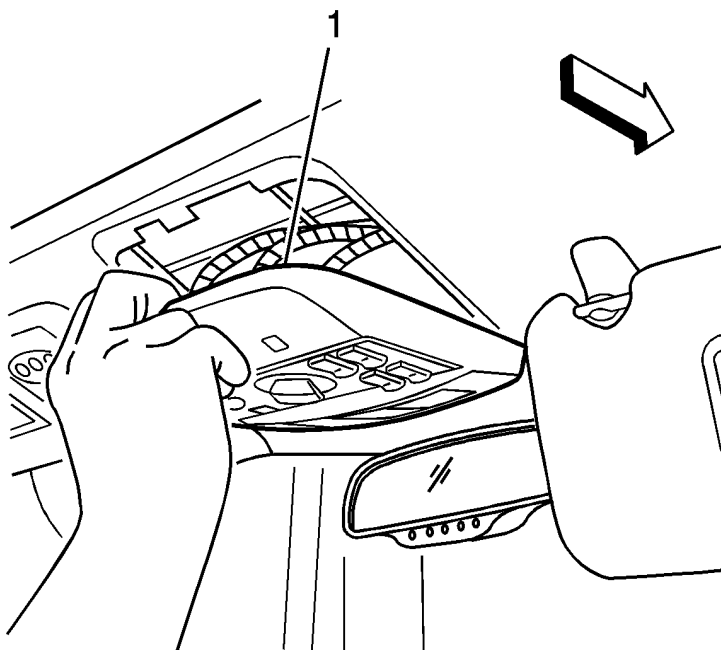
Some customers may comment on an intermittent dead battery or of the battery going dead overnight.

Cause

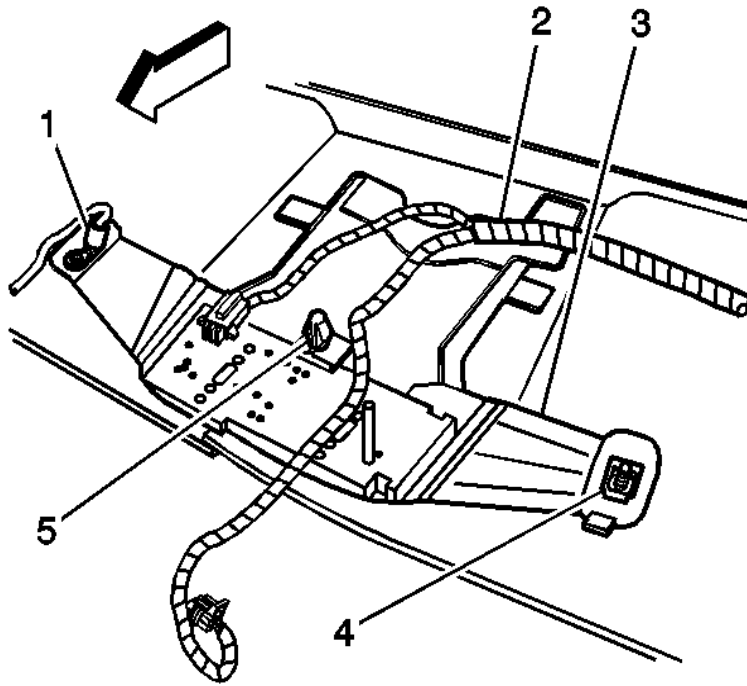
This condition may be caused by the instrument panel brightness lever, located on the overhead console, being slightly engaged but not enough to turn on the interior courtesy lamps. The slightly engaged switch causes the Dash Integration Module (DIM) to cycle between active and inactive which wakes up other modules on the Class 2 data line. This causes the vehicle to remain active. The scan tool will not indicate that the switch is active.

Correction

Technicians are to replace the overhead console assembly with an newly designed part using the following procedure:



1. Remove the roof console. Refer to the Roof Console Replacement procedure in SI.



2. Remove the roof accessory switch console retainer assembly (3). Refer to the Sunshade Retainer Bezel Replacement procedure in SI.
3. Install a new roof accessory switch console retainer assembly.
4. Install the new roof console. Refer to the Roof Console Replacement procedure in SI.

Parts Information

Important: The roof console retainer assembly must be replaced when a new roof console accessory switch bezel is replaced.

Part Number	Description	Qty
19148855	Retainer Assembly, Roof Console	1
19149449	Bezel, Roof Console Accessory Switch - Standard Roof (Gray)	1
19149450	Bezel, Roof Console Accessory Switch - Standard Roof (Neutral)	1
19149453	Bezel, Roof Console Accessory Switch - With Sunroof (Gray)	1
19149454	Bezel, Roof Console Accessory Switch - With Sunroof (Neutral)	1
Part Number	Description	Qty

19121463	Retainer Assembly, Roof Console	1
19149350	Bezel, Roof Console Accessory Switch, Standard Roof W/O Rear HVAC (Gray)	1
19149351	Bezel, Roof Console Accessory Switch, Standard Roof W/O Rear HVAC (Neutral)	1
19149354	Bezel, Roof Console Accessory Switch, Standard Roof With Rear HVAC (Gray)	1
19149355	Bezel, Roof Console Accessory Switch, Standard Roof With Rear HVAC (Neutral)	1
19149358	Bezel, Roof Console Accessory Switch, Mini Sunroof (Gray)	1
19149359	Bezel, Roof Console Accessory Switch, Mini Sunroof (Neutral)	1
19149362	Bezel, Roof Console Accessory Switch, Mega Sunroof (Gray)	1
19149363	Bezel, Roof Console Accessory Switch, Mega Sunroof (Neutral)	1

Warranty Information

For vehicles repaired under warranty, use:

Labor Operation	Description	Labor Time
C2870	Console, Roof - R&R or Replace	Use Published Labor Operation Time

GM bulletins are intended for use by professional technicians, NOT a "do-it-yourselfer". They are written to inform these technicians of conditions that may occur on some vehicles, or to provide information that could assist in the proper service of a vehicle. Properly trained technicians have the equipment, tools, safety instructions, and know-how to do a job properly and safely. If a condition is described, DO NOT assume that the bulletin applies to your vehicle, or that your vehicle will have that condition. See your GM dealer for information on whether your vehicle may benefit from the information.



WE SUPPORT
VOLUNTARY
TECHNICIAN
CERTIFICATION

© Copyright General Motors Corporation. All Rights Reserved.

Document ID# 1844716
2004 Cadillac CTS