

Document ID# 1400189  
2004 Cadillac CTS

---

# Front Side Door Window Frame Applique Appearance Discolored/Sun Faded/Mottled (Replace Appliques) #03-08-64-026B - (Nov 4, 2003)

Front Side Door Window Frame Applique Appearance Discolored/Sun Faded/Mottled (Replace Appliques)

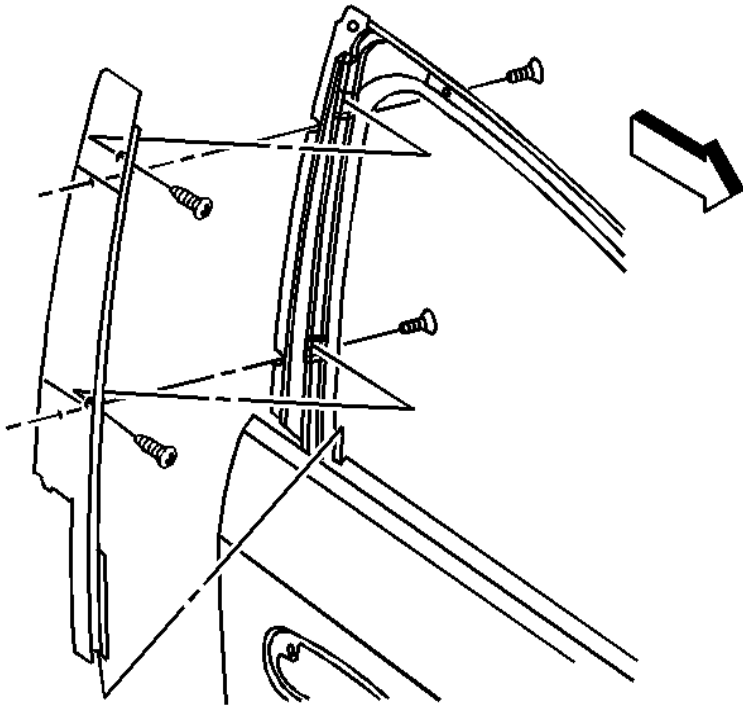
2003-2004 Cadillac CTS

Built Prior to VIN Breakpoint 40111429

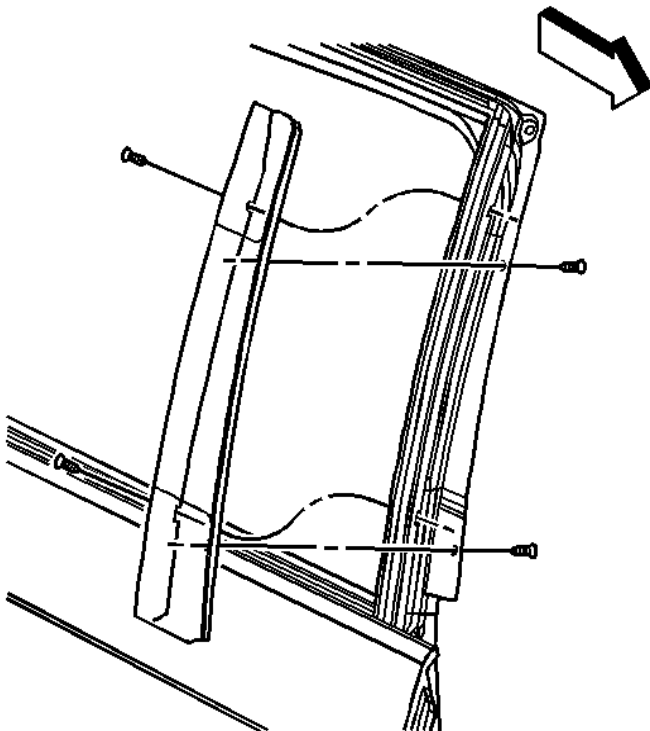
This bulletin is being revised to update the labor hours information. Please discard Corporate Bulletin Number 03-08-64-026A (Section 08-Body & Accessories).

## Condition

## FIGURE Front Door Window Frame Applique-Rear(c)



**FIGURE Rear Door Window Frame Applique-Front(c)**





Some customers may comment on the discolored/sun faded/mottled appearance of the front side door window frame appliques.

### Cause

This condition may be due to the chemicals used in some "touchless" car washes causing the finish on the applique to change in appearance.

### Correction

### **Important**

If all four appliques on the vehicle have a brushed anodized finish, all four of the appliques should be replaced in order to maintain a consistent appearance.

Remove the existing applique(s) and install the smooth finish applique(s). Refer to Door Frame Applique Replacement-Front and Rear in the Doors sub-section of the Service Manual or SI documents #763860 and #763862 for the replacement procedures.

### Parts Information

| Part Number | Description                |
|-------------|----------------------------|
| 25762423    | Applique-RH Frt S/D WDO-RR |
| 25762424    | Applique-LH Frt S/D WDO-RR |
| 25762425    | Applique-RH RR S/D WDO-FRT |
| 25762426    | Applique-LH RR S/D WDO-FRT |

Parts are currently available from GMSPO.

### Warranty Information

For vehicles repaired under warranty, use:

| Labor Operation | Description                    | Labor Time |
|-----------------|--------------------------------|------------|
| B7811           | Applique, Frt S/D WDO- Replace | 0.4 hr     |
| Add:            | To Replace All Appliques       | 1.0 hr     |

GM bulletins are intended for use by professional technicians, NOT a "do-it-yourselfer". They are written to inform these technicians of conditions that may occur on some vehicles, or to provide information that could assist in the proper service of a vehicle. Properly trained technicians have the equipment, tools, safety instructions, and know-how to do a job properly and safely. If a condition is described, DO NOT assume that the bulletin applies to your vehicle, or that your vehicle will have that condition. See your GM dealer for information on whether your vehicle may benefit from the information.



**WE SUPPORT  
VOLUNTARY  
TECHNICIAN  
CERTIFICATION**

**© Copyright General Motors Corporation. All Rights Reserved.**

---

**Document ID# 1400189  
2004 Cadillac CTS**